



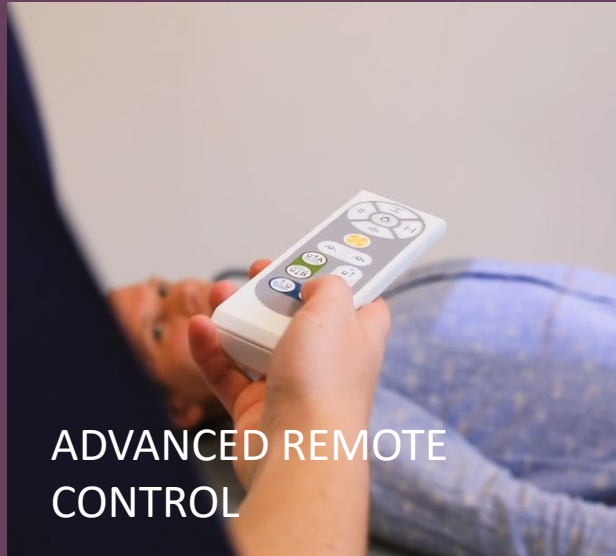
WORLD CLASS DIGITAL X-RAY SYSTEMS

LAUNCH PRESENTATION

LIVE CAMERA AND ADVANCED REMOTE CONTROL

WE ARE HAPPY TO PRESENT:

LIVE CAMERA AND ADVANCED REMOTE CONTROL FOR PRECISION i5



ADVANCED REMOTE CONTROL



LIVE CAMERA

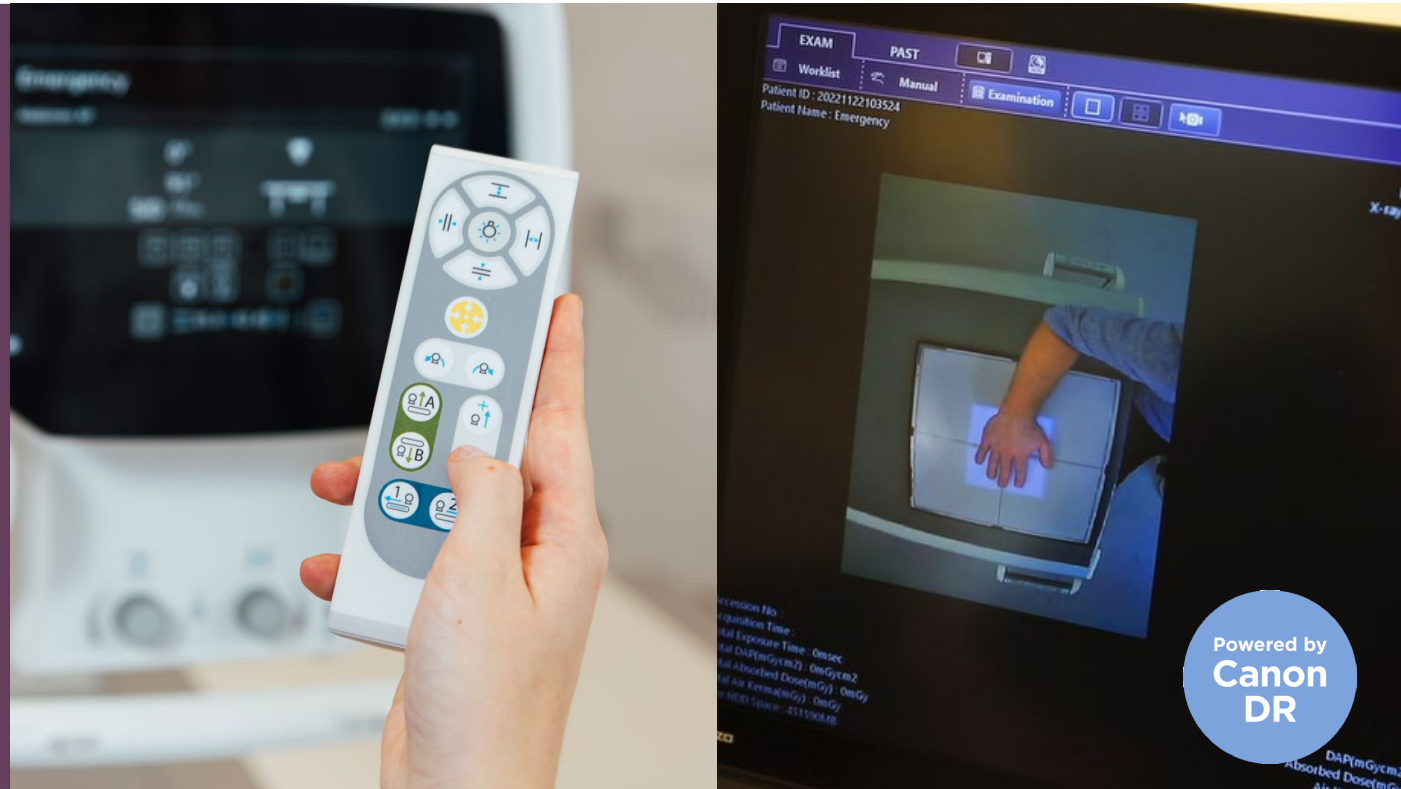
Powered by
Canon
DR

THE FEATURES

Arcoma are happy to present two smart features for X-ray system Arcoma Precision i5; live camera and advanced remote control.

The features will further improve the workflow and efficiency of the Arcoma Precision i5 X-ray system.

These functions will further strengthen Arcoma's offer, which is characterized by ergonomics, a high workflow and high quality.





LIVE CAMERA

LIVE CAMERA

Increased efficiency

Less running between patient and maneuver room.

Increased patient safety

The live camera allows you to always monitor the patient.

Helps avoid retakes

Avoid retakes by detecting if the patient has changed position and adjust easily



OTC CAMERA

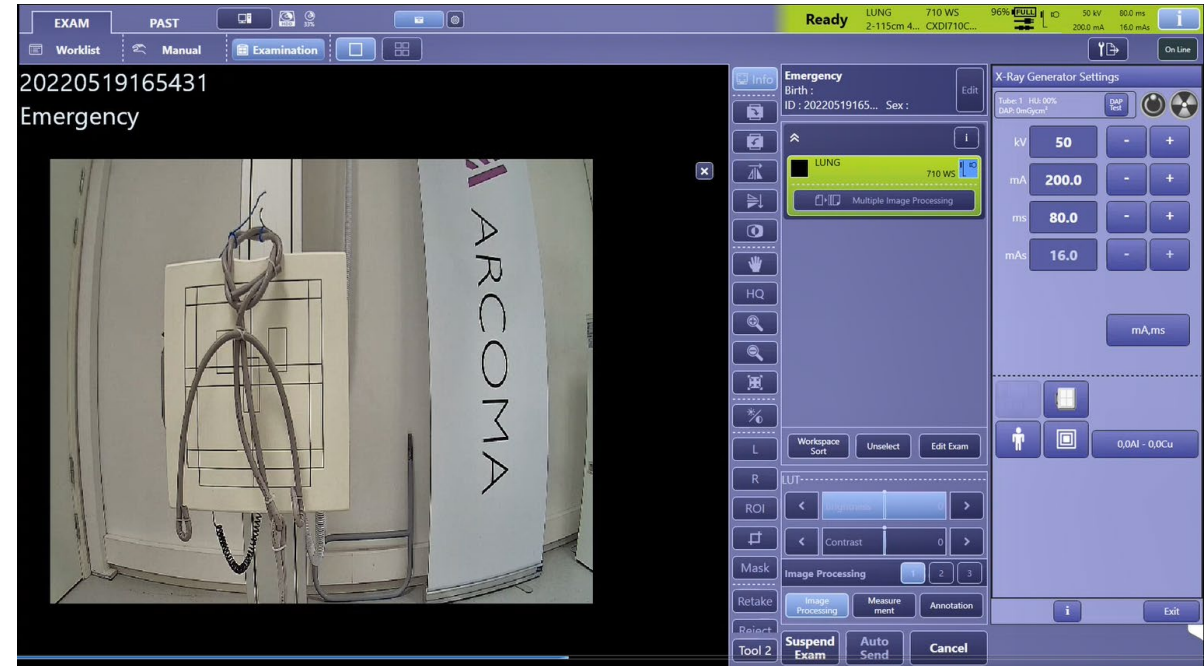
ARCOMA PRECISION i5

BRIEF DESCRIPTION

Camera showing live view of the patient.
The camera view is shown upon request in the manouvre room and / or on the OTC display.

CLINICAL VALUE

The camera view allows the Radiographer to have a good view of the patient at all times.





ADVANCED REMOTE CONTROL

ADVANCED REMOTE CONTROL

Shorten examination time

Adjustments can be performed faster and save time during examinations.

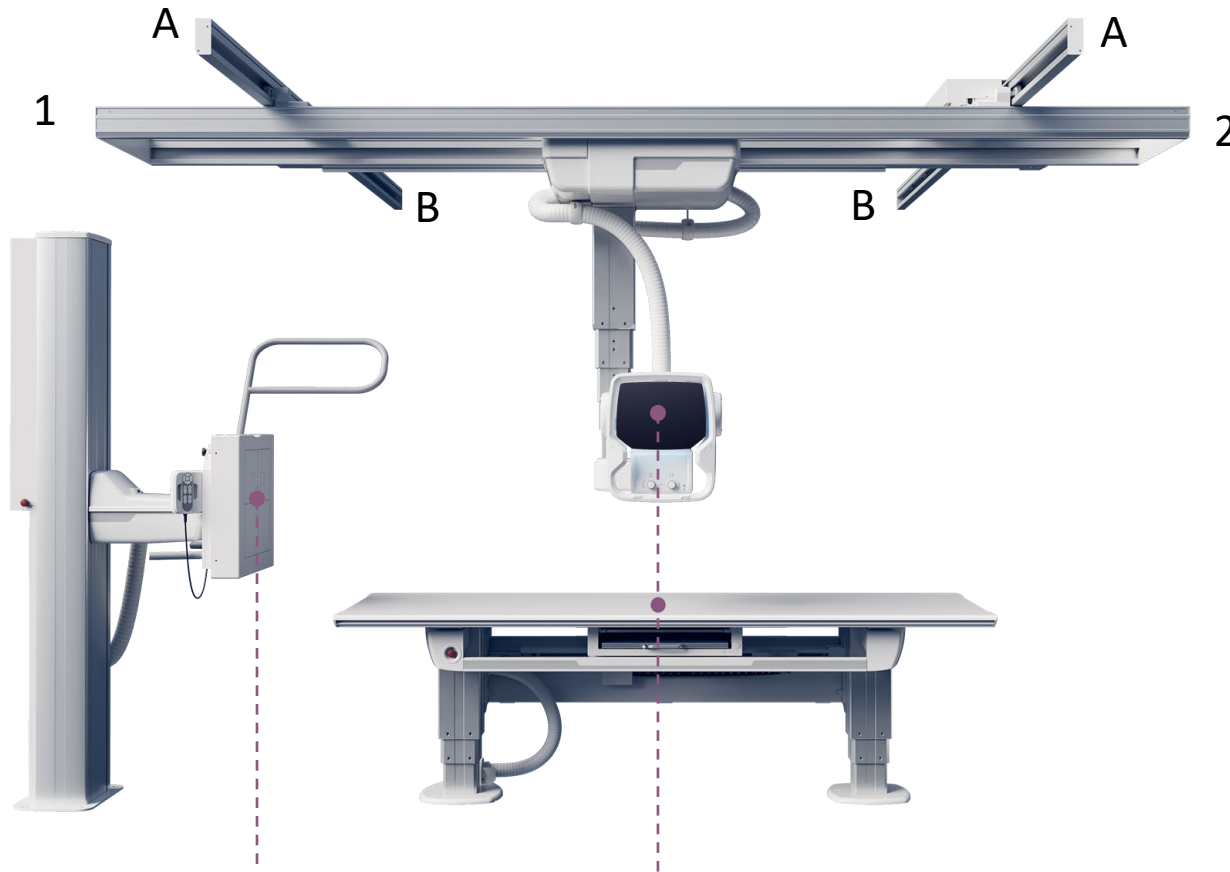
Better ergonomics

Allows you to adjust the position of the tube from an ergonomic position.



ADVANCED REMOTE CONTROL

ARCOMA PRECISION i5



Quick & Easy Adjustments
Smooth workflow

SMART MOVEMENTS!

ADVANCED REMOTE CONTROL

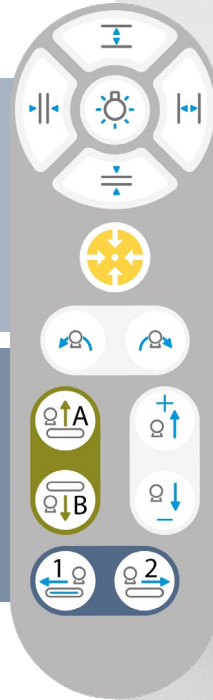
ARCOMA PRECISION i5

BRIEF DESCRIPTION

Easy adjustments of the OTC position and collimator / x-ray field size. OTC movements are adapted for the active workplace (table, wall stand or free).

CLINICAL VALUE

Adjustments are performed faster and thereby decreasing examination time.
User can adjust the tube position also when the tube is in a high position. This will reduce strain on shoulders etc.





LAUNCH MATERIAL

LAUNCH MATERIAL

WHAT ARCOMA WILL PROVIDE

Press release

Product images

Product brochure

Launch presentation
(this document)

Product Video

Product and sales
presentation



TECHNICAL AND SUPPORT MATERIAL

WHAT ARCOMA WILL PROVIDE

Price list

Updated Technical
documents





ORDERING AND PRICING

ORDERING

- **Orders: From now**
- **First deliveries: February 2023**

To be able to provide you best possible support we kindly ask you to always use the contact details below for support, product questions and service questions.

For orders:

order@arcoma.se

For service:

Phone: +46 470 706970

service@arcoma.se



PRICING

For pricing – please contact your local sales contact.



THANK YOU

Arcoma AB | Annavägen 1 | 352 46 Växjö | Sweden



PHONE

+46 470 70 69 00



EMAIL

office@arcoma.se



WEBSITE

www.arcoma.se