



WORLD CLASS DIGITAL X-RAY SYSTEMS

ARCOMA

Arcoma Precision i5 – Our strengths and uniqueness.

In this presentation we highlight the strengths for Arcoma Precision i5 and the uniqueness that creates great value for users or patients.



In general

Superior workflow

The Arcoma Precision i5 offers best possible workflow for efficient exposures. This is some of the features that contributes to superior workflow.

EASY-TO-USE INTERFACE

Easy-to-use interface with preview image shown in ~ 1 second. All info such as patient info on the display.

MOTORIZED/MANUAL WALL STAND

Easy upward, downward and tilt of the detector from both control panel and foot control.

AUTOMATIC DETECTOR TRACKING

Automatic tracking of the detector both in wall stand and table.

AUTO POSITIONING

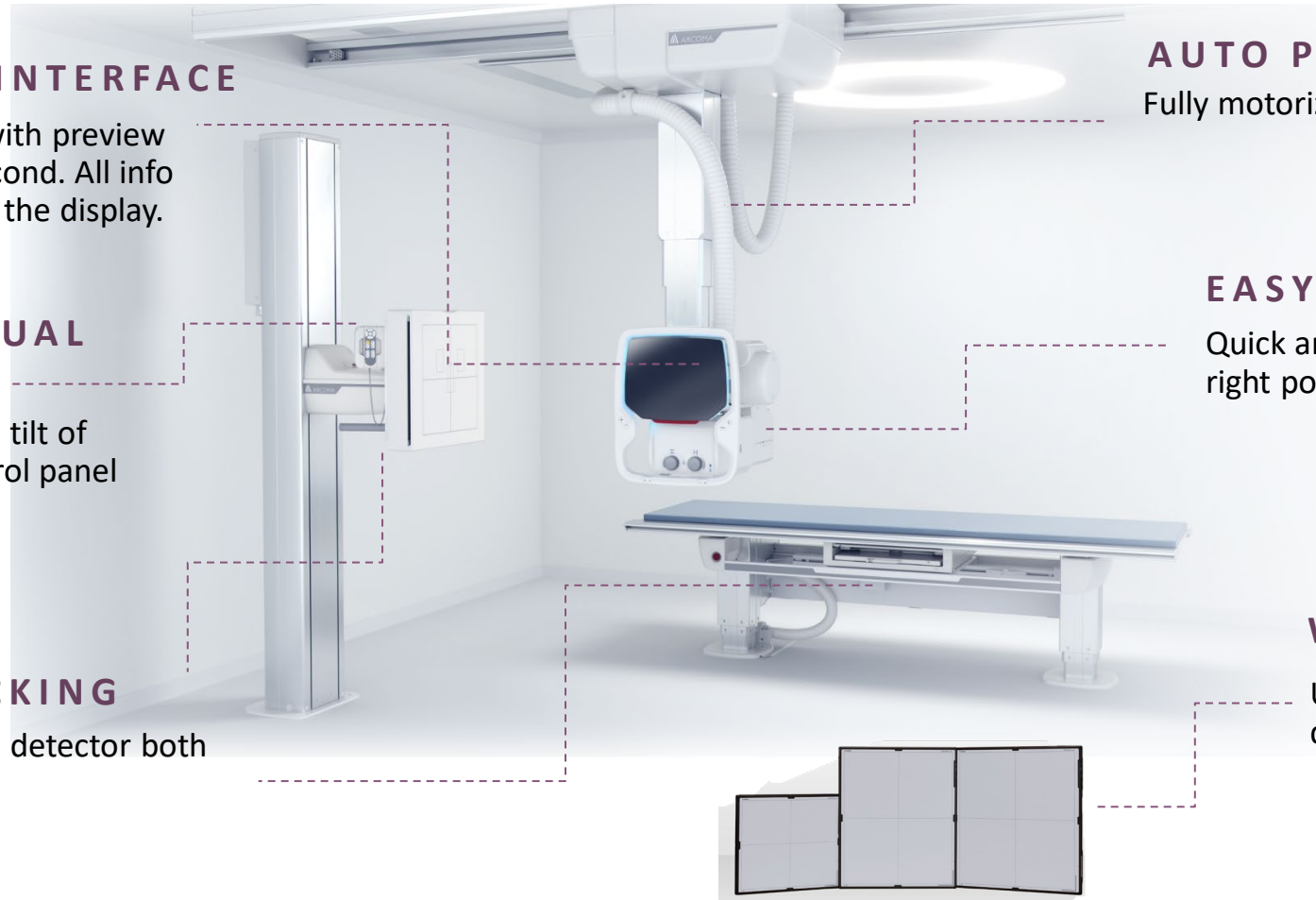
Fully motorized auto-positioning.

EASY FINE-TUNING OF OTC

Quick and easy fine tuning into the right position.

WIRELESS DETECTORS

Ultralight, easy to handle wireless detectors.



Trustworthy and durable

X-ray systems from Arcoma are well known on the market for their reliability, durability and high quality.

- **Certified according to :**
 - MDD
 - ISO 13485:2016
 - Medical device regulations in Australia, Canada and United States through MDSAP.
- **Full control of the whole process**
 - Inhouse product development
 - Inhouse production
 - Inhouse testing
- **Excellent technical support**
 - Support from technicians with deep system knowledge

 **HANDMADE IN SWEDEN** 



Simple “free” movement of the OTC manually

The Arcoma systems can easily be moved manually to the final position if needed. This is a unique feature that enables big flexibility.

Quick and flexible movement

- Motors for longitudinal/latitudinal movement and tube angulation can be completely disengaged at any time, enabling smooth and easy manual positioning.
- No servo assistance from motors active during manual positioning - still requires very little force to move the OTC around!



Easy fine tuning to the final position

The OTC is easy to fine tune into final position with minimal force needed

Ergonomic for the user

- Minimal force needed
- One of the lightest OTC:s on the market (~ 240 kg)

Easy to find the right position

- Easy and smooth fine-tuning of tube position
- Easy access for release buttons



Smooth and easy stitching

Arcoma Precision i5 offers a stitching solution that is simple and flexible for both the user and the patient.

Smooth and simple

- Easy to set-up
- No marks needed on the patient
- Fully automatic

Both wall stand and table

- Can be used for x-rays both on wall stand and table



Unique Resus/Trauma solution

Arcoma offers a unique solution for resus/trauma rooms that many players on the market do not offer.

Quick examinations

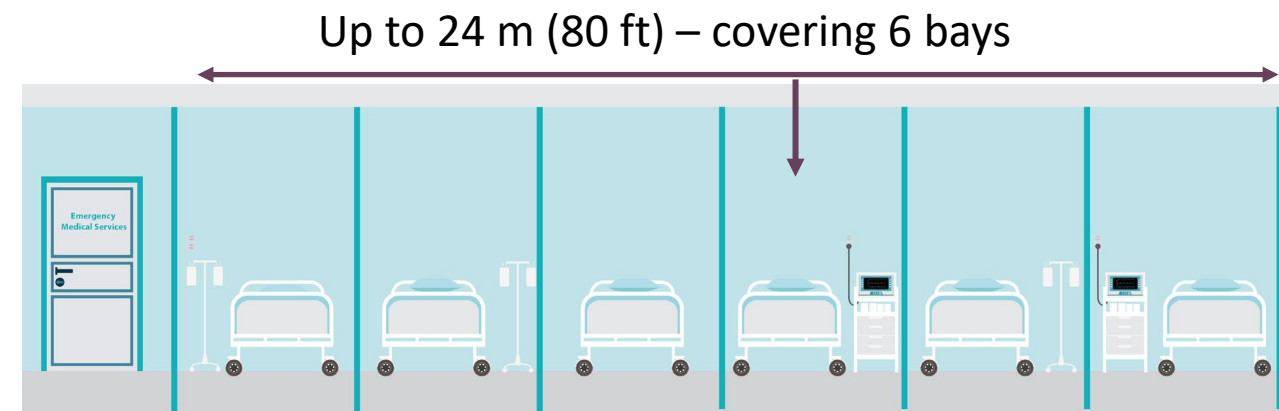
- Ideal for multi-bay coverage (up to 24m coverage)
- Quick auto positioning between bays

High quality imaging in seconds

- Preview image shown in ~ 1 second.
- Super-fast Canon DR imaging, cycle time: 7 seconds

Optimal patient safety

- Minimal patient positioning
- Possible to move the tube into almost any angle and SID



Enables big examination area without moving the rails/traverse

Arcoma Precision i5 offers one of the smallest ceiling wagons on the market.

Enables a bigger examination area

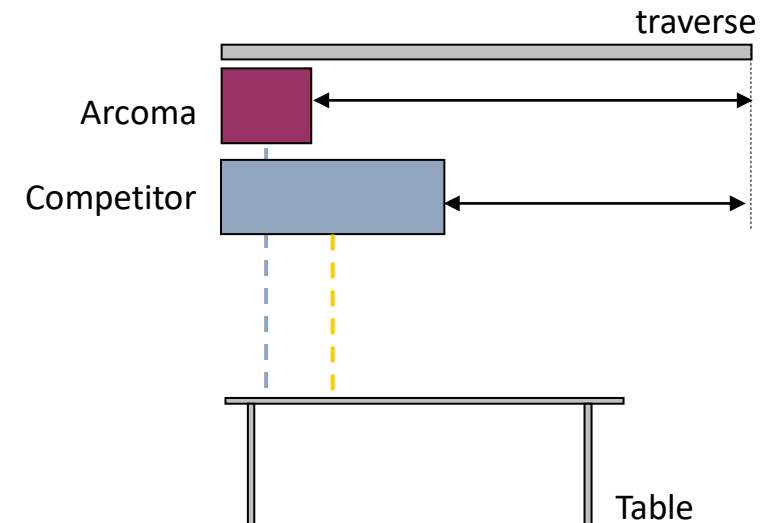
- Small size of the OTC enables that a bigger examination area can be created without any need to move the rails.
- Competitors needs to assemble system differently to achieve same examination area.

Improved workflow

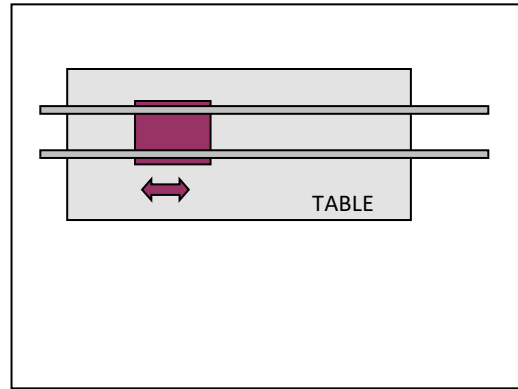
- The user can move only the OTC which creates an improved workflow in comparison with competitors.

Better ergonomics

- The user only need to move the OTC, *not* the whole traverse/the rails.



Explanation – big examination area

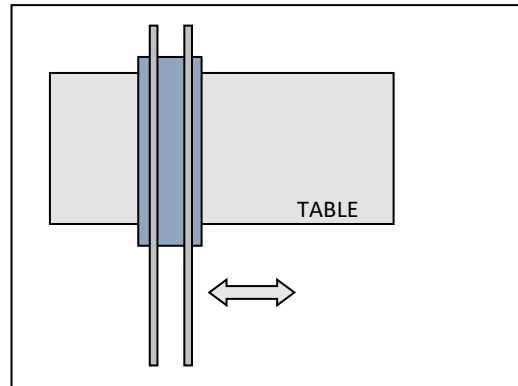


Small ceiling wagon/OTC –

Travers can be assembled parallel with the table.



The user only need to move the ceiling wagon during movements at the table.



Large ceiling wagon/OTC –

Too short stroke when the traverse is assembled parallel with the table.



The user needs to move the ceiling wagon and the traverse during movements at the table.



OTC

Smart light indications

Arcoma Precision i5 has clear and distinct integrated light indications that shows the status of the examination.

Smooth and quick examinations

- Supports easy and smooth examinations
- Improves efficiency

● Between examinations

☀ Action needed by user

☀ Ready for exposure

● Pre

● Exposure





Table

Examination table with optimal access

Arcoma is probably the only player on the market offering an open table design.

Optimized patient access

Easy access and easy transfer for patient for example from a wheelchair.

Easy cleaning

Open design makes it easy to clean under the table.

Ergonomic for the user

Ergonomic design – Minimal movement limitation for users during the work procedure



Efficient examination for long and large patients

Arcoma offers one of the largest table tops on the market.

Capacity for larger patients

- Large table top enables examination of larger patients (85 x 242,4 cm)
- Weight capacity of 300 kg/661 lbs.

Enables X-ray from head to toe without moving patient

- Large table top
- Long effortless table stroke



Both easy access and optimal working height

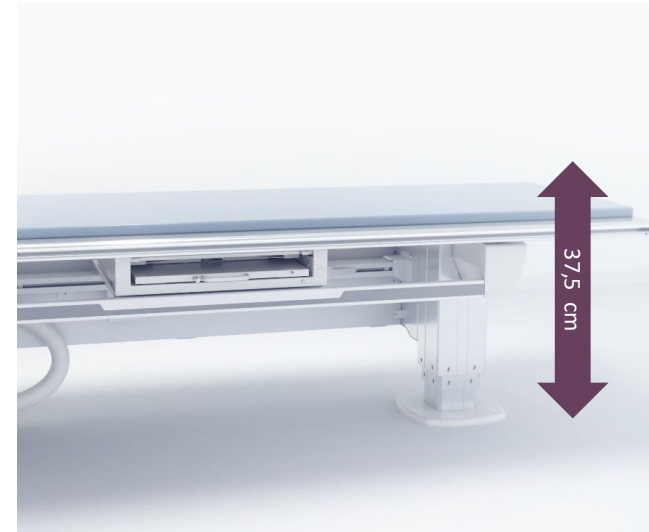
The Arcoma examination table offers one of the best table span in height.

Ergonomic working height for almost any user

The examination table offers one of the highest heights on the market which enables good working position for almost any user.

Easy access for patients

Table height goes down low enough to easy access the table for patient in a wheelchair or from another bed.



	<i>PRECISION i5</i>
Table height min	55,5 cm
Table height max	93 cm
Table – total height span	37,5 cm





Wall stand

Long wall stand examination span

Arcoma offers one of the longest examination spans on the market which enables efficient and safe examinations.

Efficient examinations

- Patient do not need to use footstep – time saving

Safe examinations

- Patient can stand on the floor -> safer and more stable -> better images!



	<i>PRECISION i5</i>
Floor to detector min	27 cm
Floor to detector max	195 cm
Examination span	192 cm



Wall stand offers both hand and foot control

Arcoma offers both hand control and wireless foot control for the motorized wall stand.

Full focus on the patient

- The user can stay close to the patient at all times
- Safety – no need to leave the patient unattended

Efficient examinations

- Easy access to control buttons



Pendulum mode improves workflow

Arcoma Precision i5 offers a smart pendulum solution that is one of the simplest to use on the market.

Improved workflow

- Easy to fine-tune to position
- The patient can continue to stand still

Convenient for the patient

- The patient does not need to change position or transfer.



THANK YOU

Arcoma AB | Annavägen 1 | 352 46 Växjö | Sweden



PHONE

+46 470 70 69 00



EMAIL

service@arcoma.se



WEBSITE

www.arcoma.se