



WORLD CLASS DIGITAL X-RAY SYSTEMS

14th of September 2023



ARCOMA PRECISION i5
ENHANCED WORKFLOW & UPGRADE KITS

ON-TUBE PROTOCOL CUSTOMIZATION

*Discover more flexibility
in your workflow!*

CHANGE PROTOCOL DIRECTLY ON TUBE

> Adapt for the unique patient and situation by quickly changing protocol on the tube display

Patient-Centered Care

Flexibility to adapt your X-ray workflow seamlessly directly in the examination room.

Efficient Workflow

Save time and reduce errors.



> New Software available for download on ARCOMA Partner Portal.

CHANGE PROTOCOL DIRECTLY ON TUBE



SEE VIDEO ON ARCOMA PARTNER PORTAL

CHANGE PROTOCOL DIRECTLY ON TUBE

Acknowledge message of Canon NE Warnings shown in the OTC display.



The OTC display shows the following information:

- ARCOMA logo in the top right corner.
- Patient name: Jane Doe
- Protocol: Abdomen Suspine
- Five small thumbnail images of the abdomen.
- Rotation: 60° (indicated by a curved arrow icon)
- FFD: 110 cm (indicated by a vertical line and circular arrow icon)
- A warning message: **ACKNOWLEDGE CANON NE WARNING** with an information icon (i) and an **OK** button. This message is circled in purple.
- A yellow grid icon and a person icon with the number **1** below it.
- Technical parameters: 150 kV, 200 mA, 6,0 ms, 5 mAs, mAs, +1 Density.
- AEC Backup label below the technical parameters.
- Four icons at the bottom: a gear, a person, a minus sign, and a hand.



LIVE CAMERA VIEW

LIVE CAMERA VIEW

Increased efficiency

Less running between patient and maneuver room.

Increased patient safety

The live camera allows you to always monitor the patient.

Helps avoid retakes

Avoid retakes by detecting if the patient has changed position and adjust easily

> Order Upgrade package from ARCOMA (0073-815-005).





ADVANCED REMOTE CONTROL

ADVANCED REMOTE CONTROL

Shorten examination time

Adjustments can be performed faster and save time during examinations.

Better ergonomics

Allows you to adjust the position of the tube from an ergonomic position.

> Order Upgrade package from
ARCOMA (0073-815-004).



ADVANCED REMOTE CONTROL

ARCOMA PRECISION i5

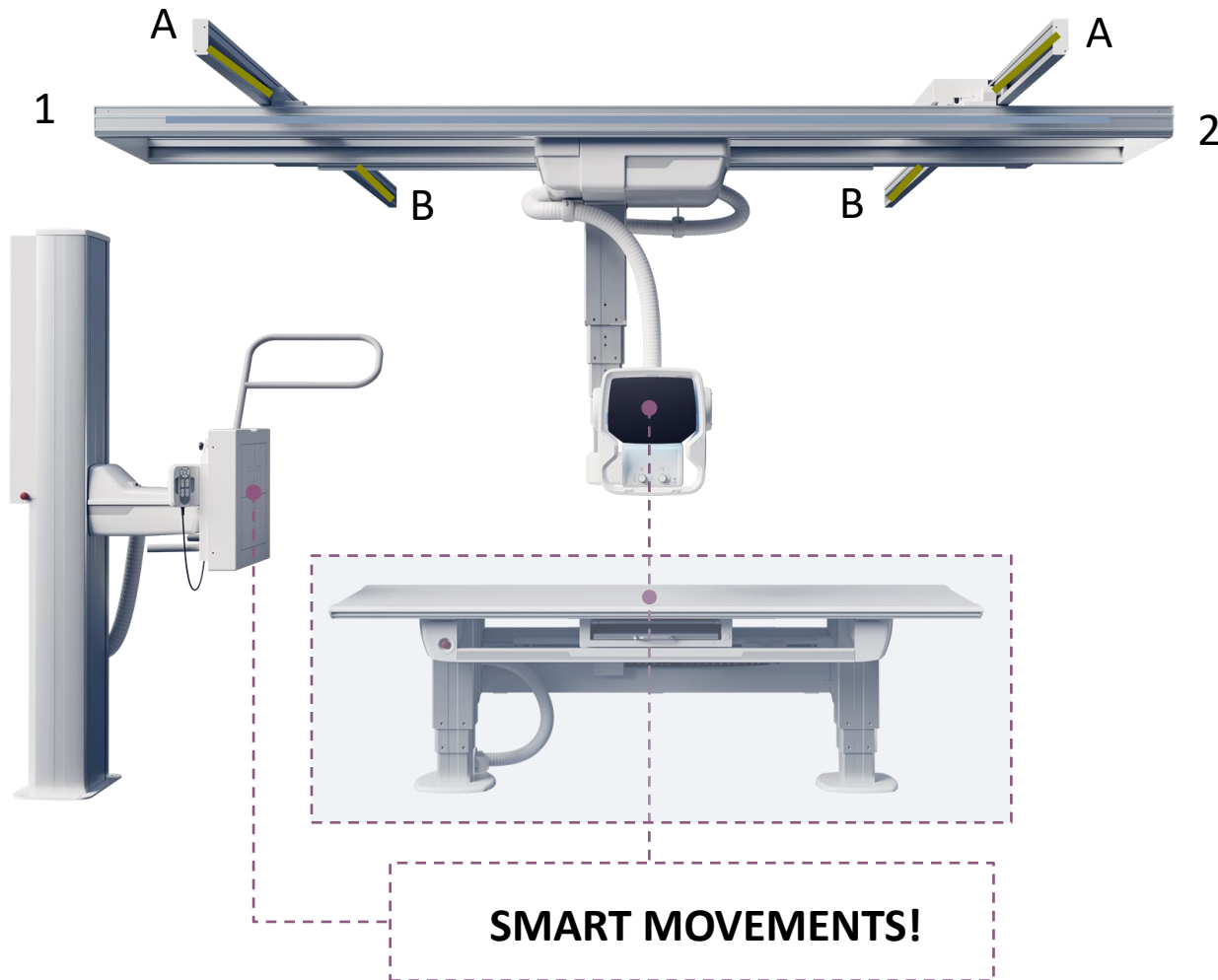
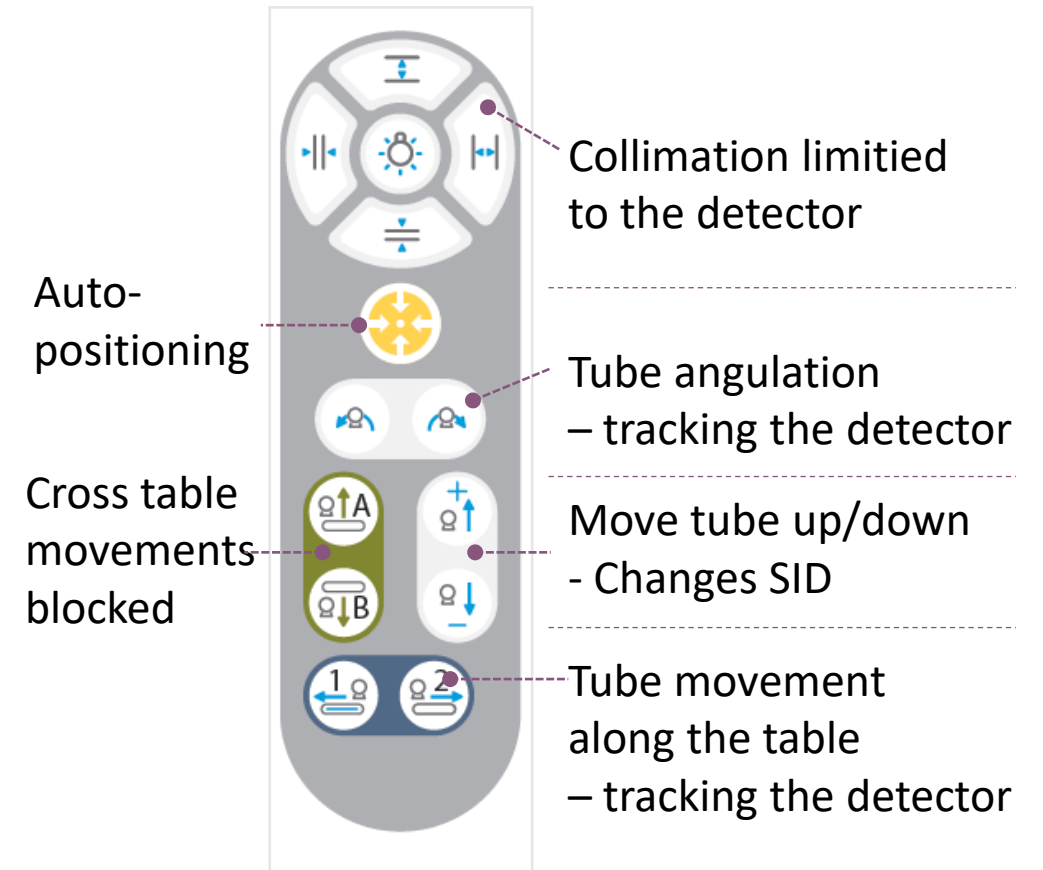
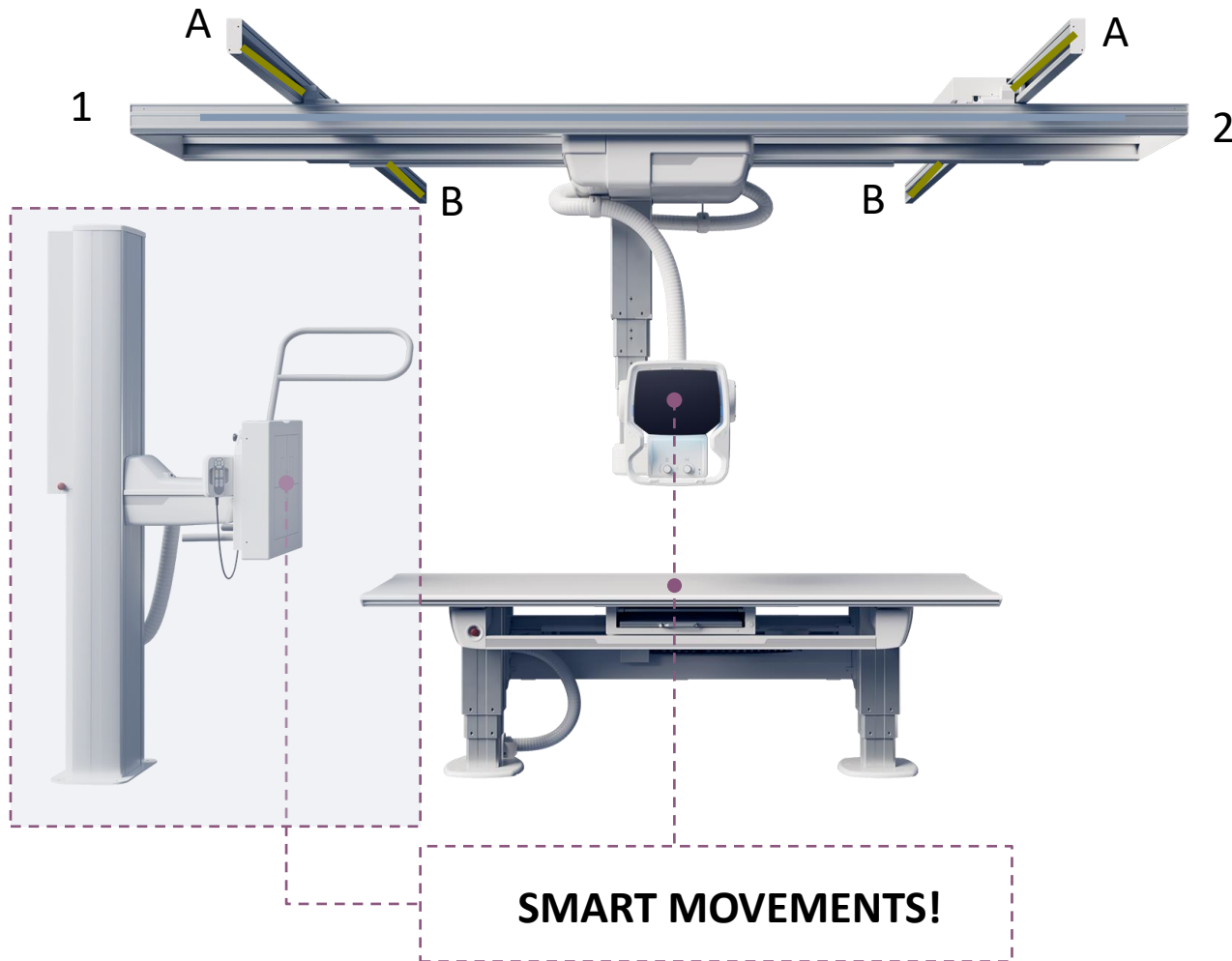


TABLE WORKSTATION SELECTED

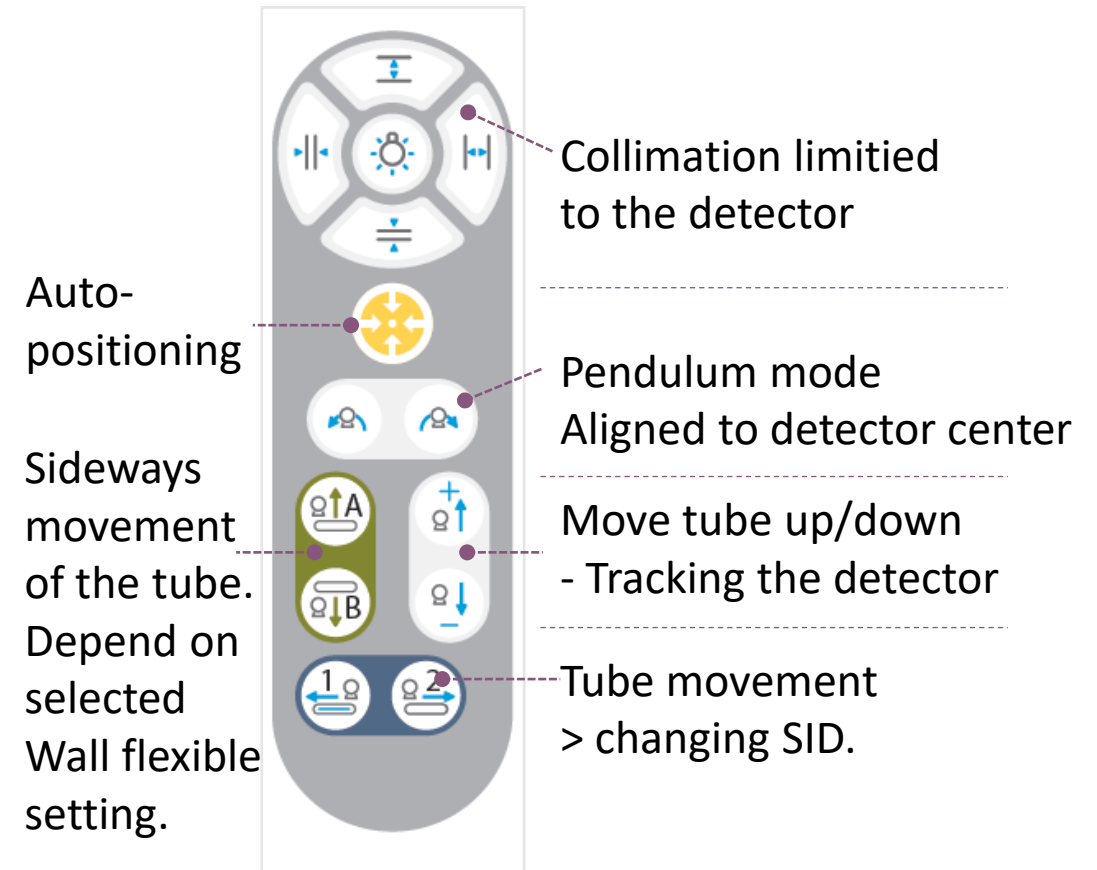


ADVANCED REMOTE CONTROL

ARCOMA PRECISION i5

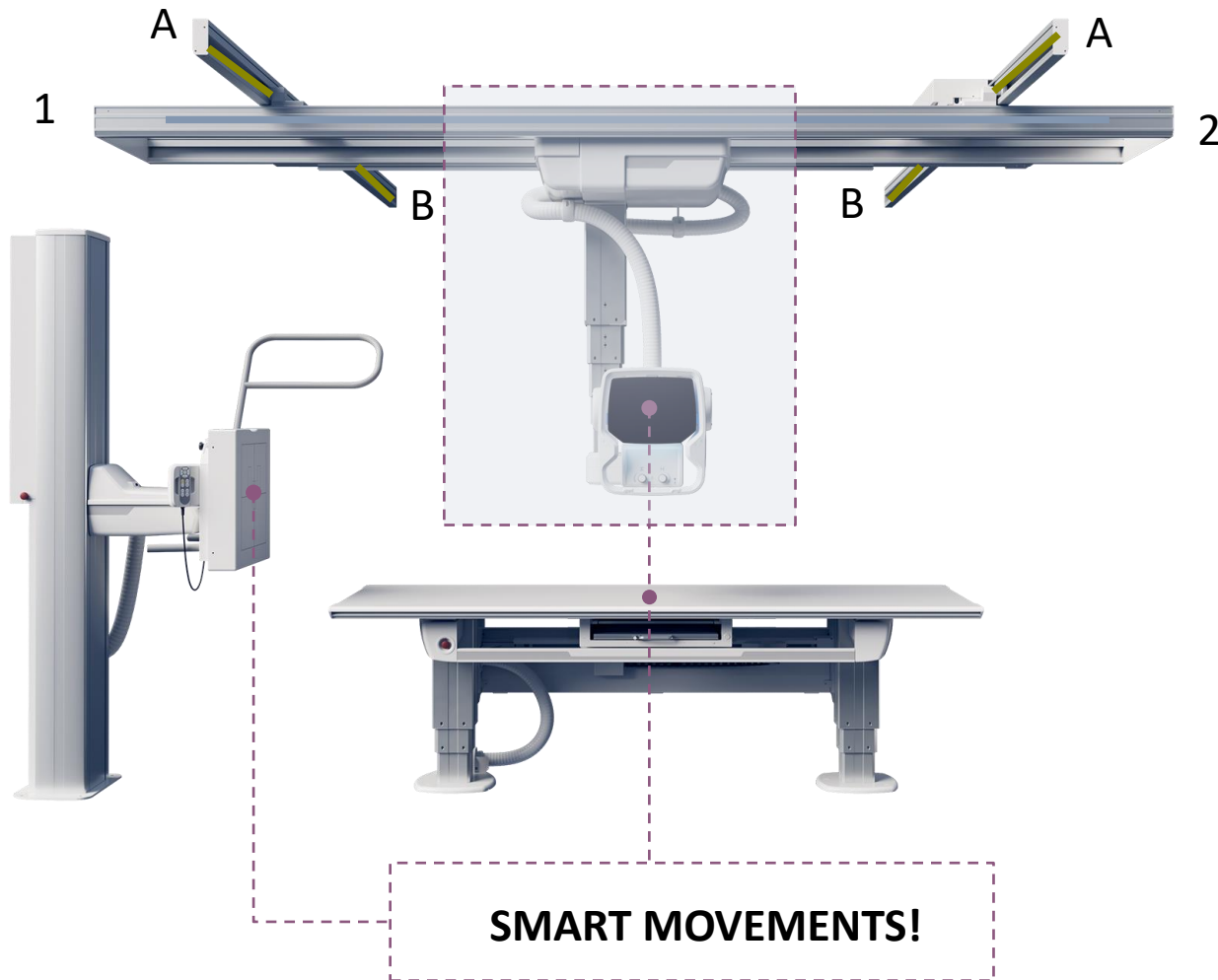


WALL STAND WORKSTATION SELECTED

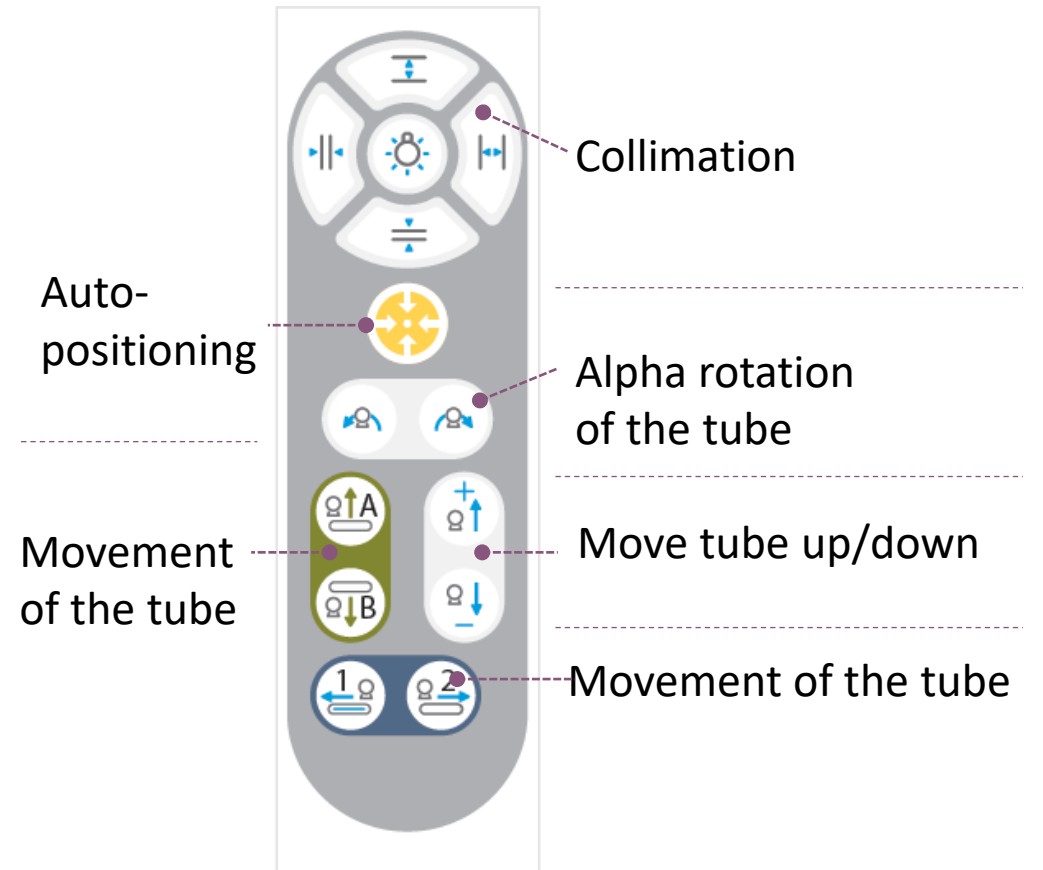


ADVANCED REMOTE CONTROL

ARCOMA PRECISION i5



FREE EXAMINATION SELECTED



IMPROVEMENTS



NEW MEMBRANE
> New button domes



NEW MEMBRANE
> New button domes
> Gray color



DISPLAY SPACER

INCREASED COMFORT WITH NEW DESIGN

*Your comfort and safety
matters to us!*

Our new design provides extra space
between the handle and collimator to
allow you to rotate the collimator
without hand discomfort.

Every new ARCOMA Precision i5 is now
designed with the extra space, and we
are happy to share that you can also
upgrade existing ARCOMA Precision i5
installations.



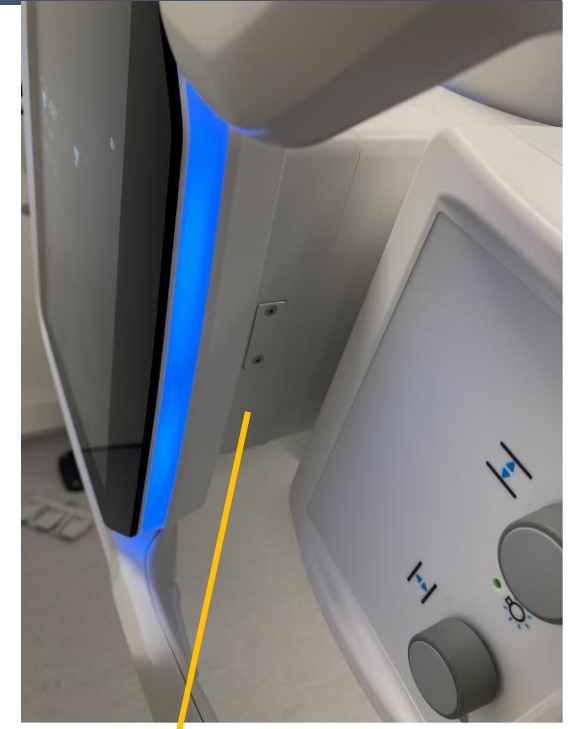
Powered by
**Canon
DR**

OTC DISPLAY SPACER

> Order Upgrade package from ARCOMA (0073-815-006).



SPACER



USB connection easy accessible

- Upload Method book
- Update display SW
- Reach log files







UPGRADE - FACTS



UPGRADE FACTS: ORDER

ORDERFORM FOR UPGRADES HAS BEEN DISTRIBUTED.

 ARCOMA PARTS NO.	DESCRIPTION	PREREQUISITE	 TIME REQUIRED	 SOFTWARE UPGRADE	 HARDWARE UPGRADE
0073-815-004	Advanced Remote Control	Canon NE 3.10	~ 4 hours	YES	YES
0073-815-005	Live Camera	Canon NE 3.10	~4 hours	YES	YES
0073-815-006	Display spacer	No	~1 hour	NO	YES

GOOD PACKAGE FOR
1 DAY UPGRADE
> INCREASED EFFICIENCY > IMPROVED COMFORT



UPGRADE FACTS: SOFTWARE

ARCOMA

We develop, produce and provide complete radiology solutions worldwide with the mission to improve care for the patient and work environment for the user.

[in](#) [yt](#)

[Login partner portal](#) | [Privacy policy](#)

Home / ARCOMA Partner Portal - Distr.

ARCOMA PARTNER PORTAL – DISTR.

ARCOMA Partner Portal SALES & MARKETING PRODUCT GUIDES ARCOMA ACADEMY

TECHNICAL INFO – Precision/Intuition LOG OUT

A woman with long dark hair, wearing a purple top, is sitting at a table in what appears to be a cafe or office setting. She is looking down at a smartphone in her hand. A laptop is open in front of her, and there are some glasses and a pitcher on the table. The background is slightly blurred, showing other tables and chairs.




UPGRADE FACTS: SOFTWARE

ARCOMA X-RAY SYSTEMS REFERENCES ABOUT US CONTACT Search

Home / TECHNICAL INFO – Precision/Intuition

TECHNICAL INFO – PRECISION/INTUITION

ARCOMA Partner Portal SALES & MARKETING PRODUCT GUIDES ARCOMA ACADEMY TECHNICAL INFO – Precision/Intuition LOG OUT



Arcoma Intuition

Service & Installation manuals

2000-095-002_2_1_Arcoma_Intuition_ISM

Operators manuals

Operation manual:2000-095-022_3_1_EN_Arcoma_Intuition_OH

Operation manual:0180-095-012_3_1_Arcoma_Intuition_OH-1

Operators manual – Arcoma Intuition 4.1 (eng)

Operators manual – Arcoma Intuition 3.1 (eng)

Operators manual – Arcoma Intuition (Svenska)

System software


- Download system software for Intuition 7.0
- Download system software for Intuition 6.0
- Download system software for Intuition 5.0

Spare part catalogue

2000-095-072-0Spare part catalogue-Intuition_01 [Download file](#)

Declaration of Conformity

Doc_Intuition [Download file](#)



Arcoma Precision/i5

Service & Installation manuals

Service and installation manual:1000-095-012_15 ver 3_1

Service and installation manual:1000-095-012_15_SM_ver_2_1

Service and installation manual – Arcoma Precision

Operators manuals

Operation manual:1000-095-011 Precision_i5_EN_ver_3_1_OH

Operation manual:0072-095-014_3_1_Arcoma_Precision_OH-1

Operators manual – Arcoma Precision:1000-095-012-EN Rev.11.1

Operators manual:Arcoma_Precision:1000-095-014-EN Rev.1.1

Operators manual_Precision i5:1000-095-011-EN Rev.3.1

Operators manual_Precision i5_SWE_3_1

Operators manual_Precision i5_Finnish_3_1

Operators manual_Precision i5_Hungarian_3_1

Operators manual_Precision i5_Slovak_3_1

System software

- Download system software for Precision i5 1.1
- Download system software for Intuition 7.0
- Download system software for Precision T3 3.4

System software

- **Download system software for Precision i5 1.1**
- Download system software for Intuition 7.0
- Download system software for Precision T3 3.4

Previous system software

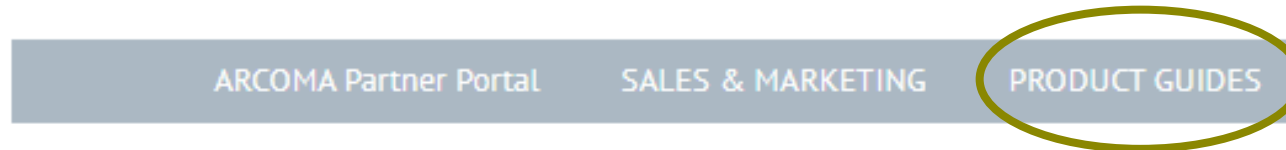
- Download system software for Precision i5 – 5.6
- Download system Software Precision i5 – 5.5
- Download system software for Precision T3 3.5
- Download system software for Intuition 6.0
- Download system software for Intuition 5.0
- *Detailed information about new software 2.19*



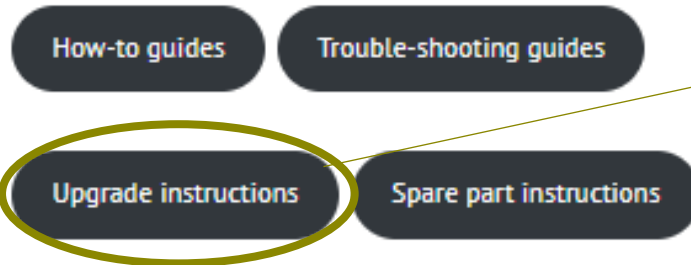
UPGRADE FACTS: INSTRUCTION

Home / ARCOMA Partner Portal – Distr. / PRODUCT GUIDES Distr.

PRODUCT GUIDES DISTR.



See all our product guides:



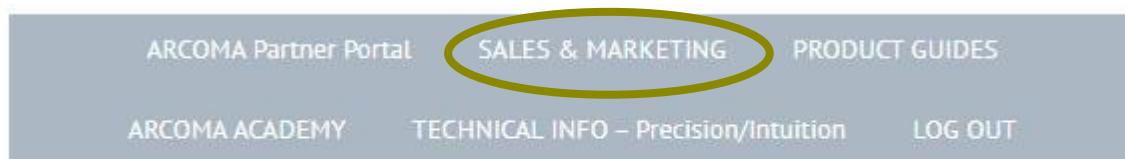
UPGRADE INSTRUCTIONS

Precision, i5/Aceso+:

- Camera patient view
- Remote control advanced

MARKETING: VIDEOS

SALES & MARKETING (DISTR.)



You can always find the latest files of our marketing material at our website: www.arcoma.se

Click on the menu to find latest images, videos and sales and marketing material.

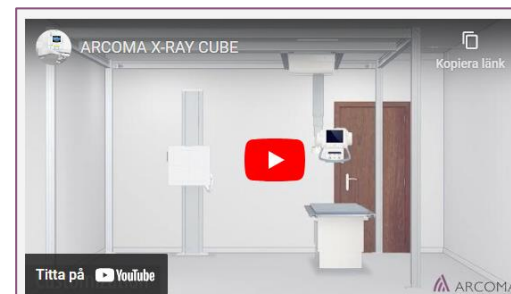


Image bank

Product presentations

Videos

Printed material



Shows protocol change on Arcoma Precision 15 OTC display.



Shows our new features on Arcoma Precision 15.



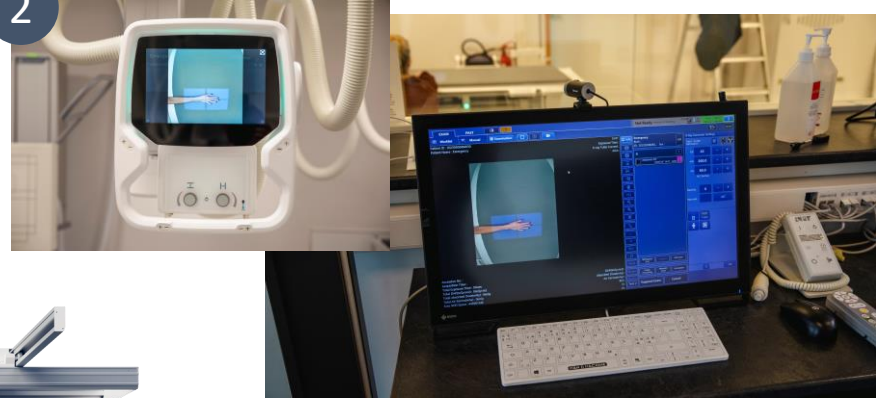
SUMMARY OF NEWS & UPGRADE KITS

1



PROTOCOL CHANGE
ON DISPLAY
> Arcoma Precision i5
(NE 3.10)

2



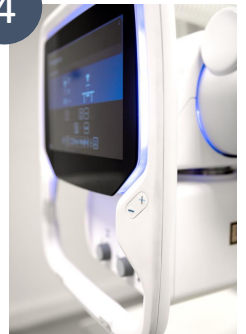
UPGRADE KIT: CAMERA
> Arcoma Precision i5 (NE 3.10)

3

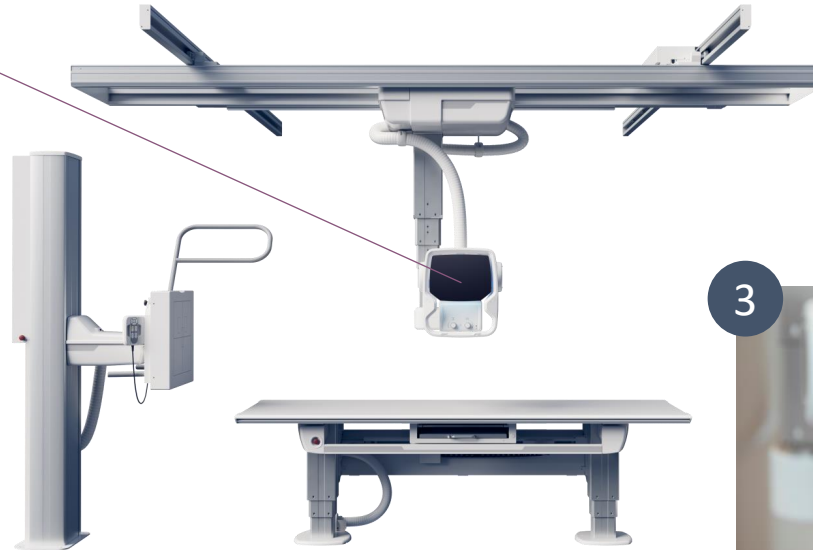


UPGRADE KIT: ADV. REMOTE
> Arcoma Precision i5
(NE 3.10)

4



UPGRADE KIT: OTC SPACER
> Arcoma Precision i5



THANK YOU

Arcoma AB | Annavägen 1 | 352 46 Växjö | Sweden



PHONE

+46 470 70 69 00



EMAIL

service@arcoma.se



WEBSITE

www.arcoma.se