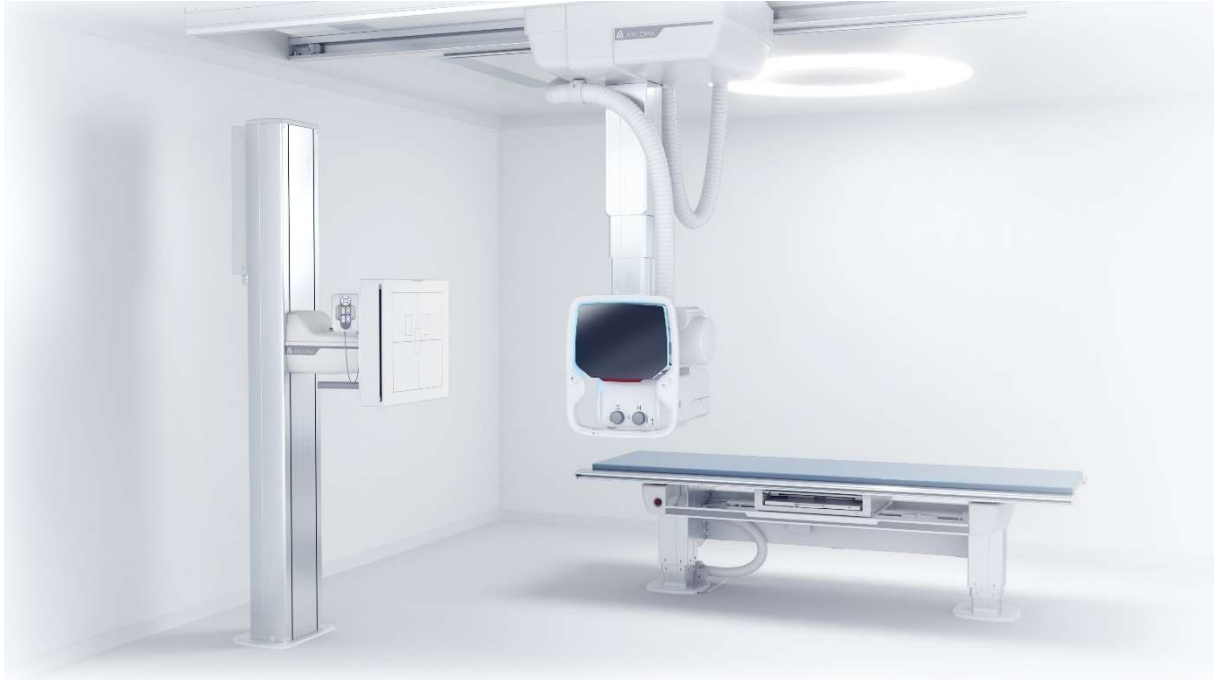


# REMOTE CONTROL

## How to pair transmitter with receiver

**APPLICABLE TO:** Precision system



### **INFORMATION:**

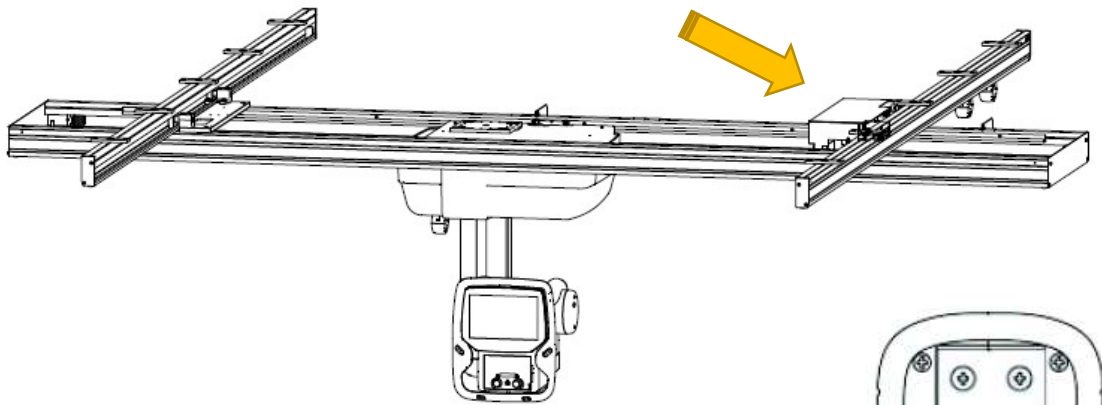
After replacing transmitter or receiver the units must be paired.

### **TOOLS NEEDED:**

- Standard tools.

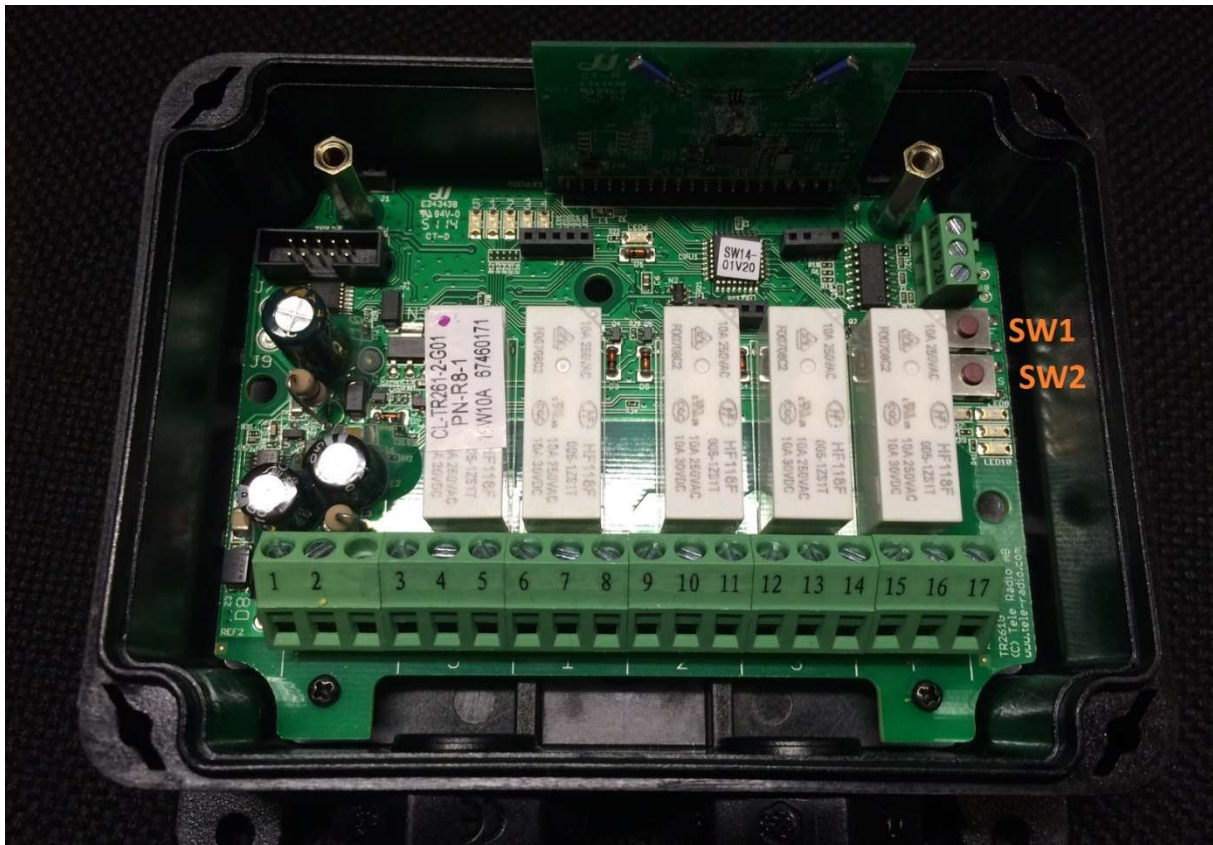
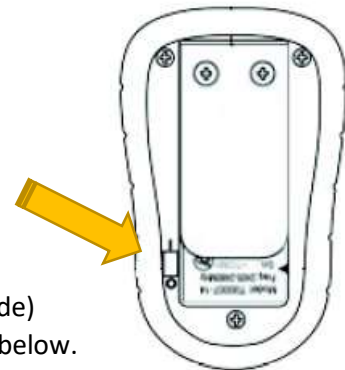


## ACTION STEPS:



The remote-control receiver is located on Electrical plate Y.

1. Remove the cover from Electrical plate Y
2. Remove the cover of the Remote-control Receiver.
3. Turn ON the Remote-control Transmitter (button on back side)
4. Press button "SW1" located inside the receiver, see picture below.
5. An LED turns ON.
6. Press button "SW2" while the LED is still lit.
7. Functioning LED:s will turn ON.
8. Press and hold any button on the remote control while the functioning LED:s are still lit and keep the button pressed at least 5 seconds until you get a responding flash from the LED.
9. Restart the system, Try Remote-control functions and restore covers.



- END OF DOCUMENT -