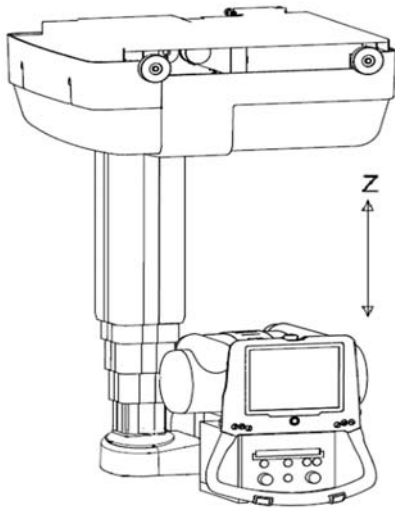


“TUBE STAND Z NOT DRIVING DOWNWARDS”

APPLICABLE TO: Intuition 4C system

ERROR MESSAGE: [Collision]

INFORMATION: This instruction covers how to trouble shoot driving of tube stand Z downwards



HOW THE AFFECTED FUNCTIONALITY IN THE SYSTEM SHOULD WORK:

When powered on it should always be possible to drive Z downwards by pressing the Z down button.
(until it reaches its end stop or a collision is detected)

SYMPTOMS OF THIS ERROR:

It is not possible to drive Tube downwards.

There is an error message appearing in the tube display saying “Collision”.

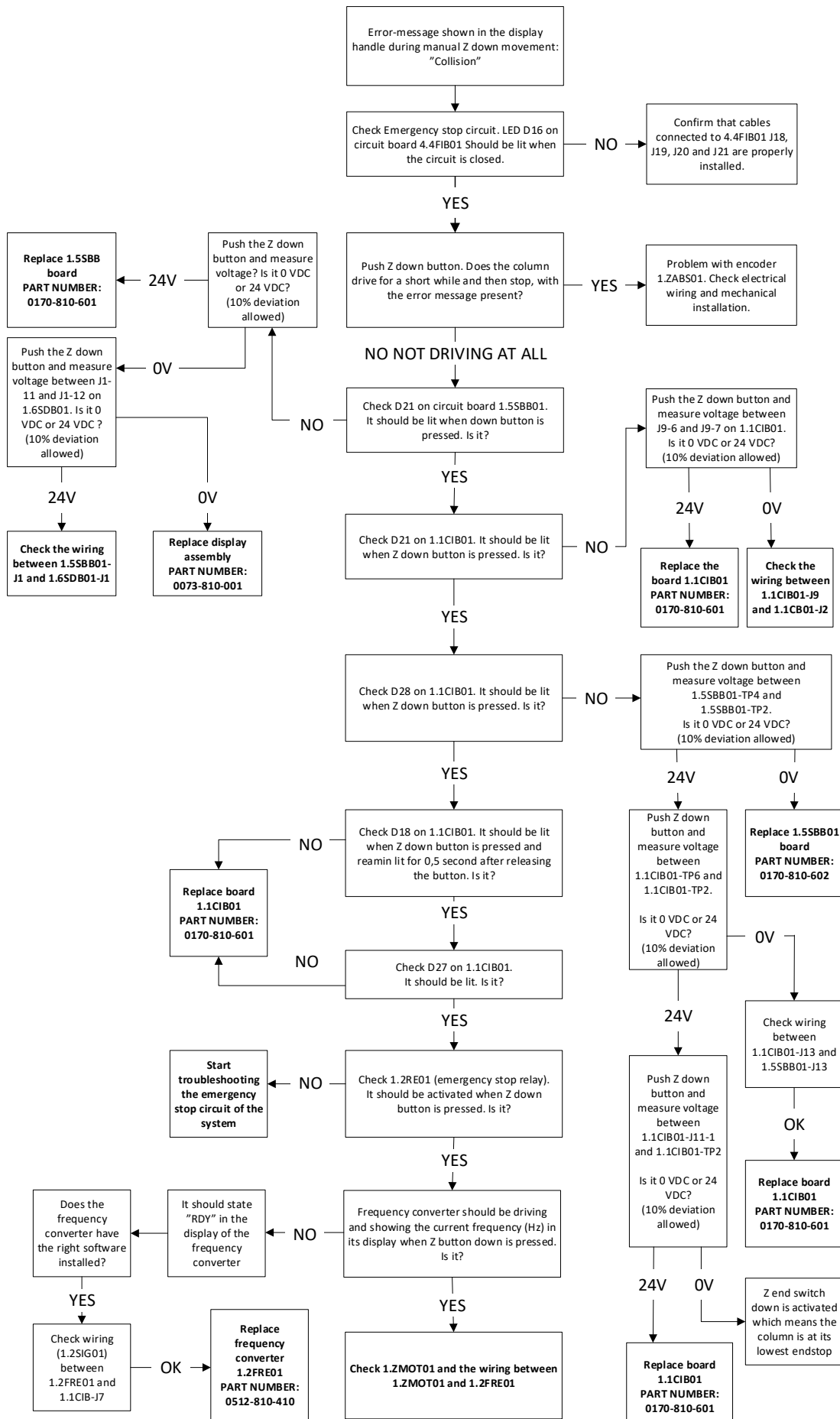
POSSIBLE CAUSES:

- Incorrect mechanical/electrical inputs or calibration
- Issue with control and drive nodes
- Power supply or motor power problems

ACTION STEPS:

See and follow the flow chart on next page to determine first steps and how to proceed. Drawing UBD-0180_Z down can be used as reference.

The flow chart is followed by reference pictures and explanations.



CIRCUIT BOARDS; LOCATION OVERVIEW

